

Order received:	by:	Prod. No.:	
Dealer/Buyer:		End user:	Age: Height
EAN location:		Disability:	Inside leg length:
Contact:		Parent:	
Address:		Home address:	

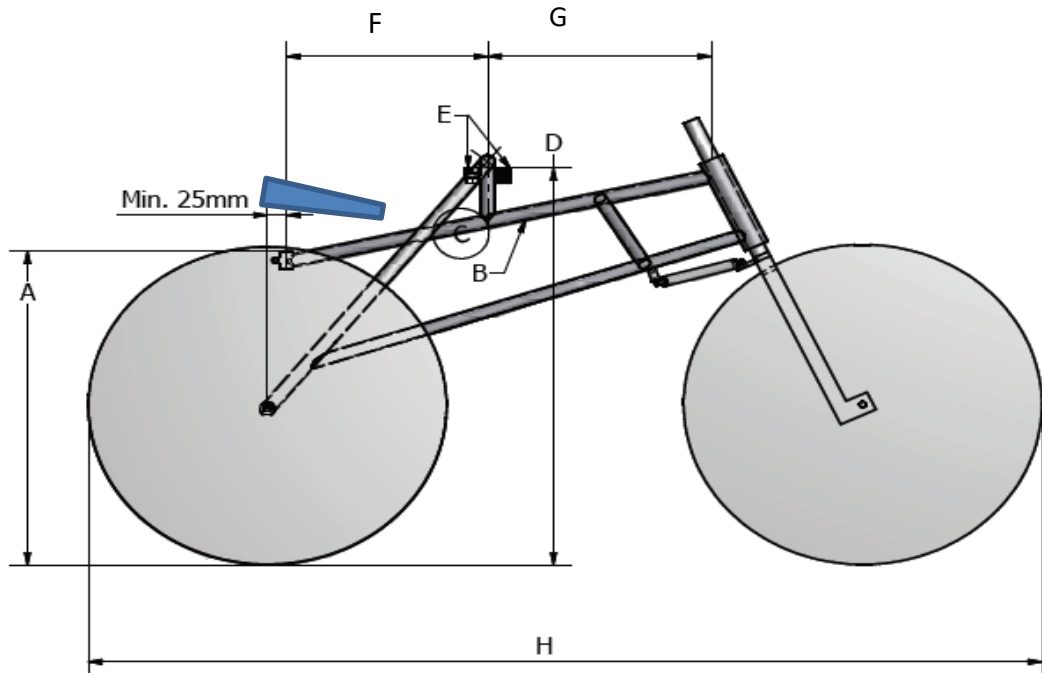
(circle or write measurement)

IF user tip-toe when running - add 5-12 cm to saddle height.

SIZE	App. Saddle height	User height	A Height saddle clamp top to floor	B Bend of middle tube for horizontal rear?	C Link	D Height under the arch	E Clamp for chest support	F Vertical tube to saddle clamp	G Dist crown pipe vertical tube	H Overall length	Width rear wheels
STORM 4,5 10017-4	65-75 cm	155-175 cm	65 - 75 cm	Diagonal Horizontal	no Yes	82 - 88 cm	Front Back	39 - 43 cm	38 - 42 cm	177, 180, 183 cm	76 - 80 cm
STORM 5,5 10017-5	82-97 cm	172-187 cm	75 - 85 cm	Diagonal Horizontal	no yes	92 - 98 cm	Front Back	44 - 48 cm	44 - 48 cm	191, 193, 195 cm	82 - 86 cm
Saddle height:			Angle:			Nose 0*	nose 15-25°	nose 25-45*			

## FRAME SKETCH

Advisory approx. measurements.  
Camber angle  
App. 7-8\*



Designed by Christian Reenberg	Checked by	Approved by	Date 19-05-2017	Date 07-10-2016
All commercial and intellectual rights by licensed to BY CONNIEHANSEN ApS Byåsen 18, Ganløse, DK-3660 Stenløse, Danmark Mobil.: +45 29433767, Corp.reg.no: 36487305 mail@by-conniehansen.com, www.by-conniehansen.com			Målskema	
Stormrunner			Edition 1	

Order received:	by:	Prod. No.:	
Dealer/Buyer:		End user:	Height      Age:
EAN location:		Leg length inside with shoes on:	Handicap:
Contact:		Parent:	
Address:		Home address:	
E-mail:		Ph:	Mob:
Ph:	Fax:	E-mail:	
Therapist	Mb:	E-mail:	

powdercoat Color:	White	Black
-------------------	-------	-------

Other RAL powdercoat:
Other RAL weat paint:

<b>Mountainbike</b>	Straight	Curved
<b>Handlebar</b>	46	50
Grip	Adult	foam
Stem Top:	short	long
Brake handle:	R	L
Cylinder spring:	CC      C      B	
	weak    medium    strong	

Ergo Grip	Parking brakes
Racing bike HB & STI brake	
BBB MB horn	Tri arm support
Mittens:	1                      2

T-Post:	5 cm	10 cm	15 cm	20 cm
Vertical post:	10 cm	15 cm	20 cm	
Clamp collar:	45°	90°		

<b>Vela Chest Support</b>	Small	Large
Belt	Short	low
PUR support:	1	2
Angle stop		

<b>Bike Saddle</b>	Narrow Lux	Sporty saddle
	Ultra thin	Soft wide
Gel Tech saddle cover		
Banana saddles		
	Viscount	Free Rider
	Uni fitting	Rails & bike fitt
Fur Banan saddle cover		

Saddle post:	15x8 cm	8 cm
	8x8 cm	

NOTES:

***Wheels, tires ... not included i basic price***  
***Tires/tubes may change as to availability***

700 Cc wheels Regida rim, Alu hub, steel spokes	FRONT	REAR
	Quick spinner axel	Bolt axel
Schwalbe Lugarno		
Other Schwalbe tire		
Carbon Corima clincher		
Carbon Corima tubular		
Tubular corima tire		

Exp. Ship	_____	Actual	_____
Invoice no	_____	Date	_____
Assembly	_____	Check	_____

## Standard features includes

Price List July 2017

Individual frame in Steel BTR 110/ 52.

Alu front fork 1 1/8", Scram Apex front brake.

Choose length of posts and spring type.

Tool Bag, 5&6 mm insert key, 13 mm key, manual

Add wheels, saddle chest plate,P-brake etc.

Basic price STORM RUNNER		VAT	VAT
0010017-4	STORM RUNNER Size 4,5: front wheel 622 mm/ rear 622 mm, (No Link)	17.032,98	21.291,23
0010017-5	STORM RUNNER Size 5,5: Front wheel 622 mm/ rear 622 mm, (No Link)	17.032,98	21.291,23
0017-0045 0017-0055	Drop link section for size 4,5 or 5,5	1.525,00	1.906,25
Non standard paint work add 1.000 - 2.500 DKK			
Add body support and saddle			
0302-0280	PUR semi-circle Body Support, with strap and T-post, size 2	2.205,86	2.757,33
0210-6000	Vela Chest Plate std. , mounting plate & T-post, small	1.565,70	1.957,13
0210-7000	Vela Chest Plate Large, mounting plate & T-post, large	1.880,88	2.351,10
0501-0000	Saddle Narrow, luxus gel, fitting	263,16	328,95
0501-0010	Sporty gel saddle with hole, bike fitting	284,58	355,73
0502-0000	Saddle Extra wide/soft, fitting	284,58	355,73
0504-4000	QU-AX Junior saddle, Uno fitting	346,80	433,50
0504-0010	Viscount Uni saddle + Sliding rails and fitting	683,60	854,50
0504-3001	Free Rider Fusion, rails & bike fitting	708,90	886,13
Add other equipment			
0508-0000	Gel Tech saddle Cover	147,90	184,88
0509-0000	Fur Cover for Viscount saddle	525,30	656,63
0702-0400	Handlebars, Racing, app. 40 cm & STI hand brake	425,00	531,25
0900-0130	BCH Mountain Bike Horn with rubber Grip, pair, length 130 mm	630,36	787,95
1900-?000	Hand mittens, pair, size 0 red: -0000, Size1 blue: -1000, size 2 black: -2000	935,34	1.169,18
0499-0150	Post 15 cm, 2 Clamping Collar horizontal/vertical for double PUR support	389,64	487,05
0230-00?0	Angle stop Alu Clamp 22 mm Ø for Body Support for 50 or 70 mm tube	150,00	187,50
0212-0900	Belt, Short, low	798,66	998,33
0377-0??0	T-post 7,7 x 10 cm, 7,7 x 15 cm	265,20	331,50
0445-0??0	10, 15, 20, 25 cm Post with 45° Clamping Collar	236,64	295,80
0490-0??0	10, 15, 20, 25 cm Post with 90 ° Clamping Collar	249,64	312,05
1103-0000	P brake, wheelchair model, pair	216,24	270,30
Wheels, tyres ...			
2120-4000	1 x Alu std REAR 700 Cc wheel	993,48	1.241,85
2027-0699	1 x Alu std front 700 Cc wheel	779,00	973,75
2800-1023	Lugarno tire	331,50	414,38
2800-1123	Durano slick	499,00	623,75
2800-1038	Schwalbe marathon Green Guard	386,58	483,23
2516-5003	Corima Carbon clincher 700 Cc wheel set (1 front + 2 x rear)	20.859,50	26.074,38
2516-5302	Corima Carbon Tubular 700 Cc rear wheels (pair)	12.158,40	15.198,00
2516-5000	Corima Carbon Tubular 700 Cc front wheel	5.706,70	7.133,38
2590-0021 / 2590-0060	Corima tubular tyre 700 Cc / 20"	624,00	780,00
ApS SE no: DK 36 48 73 05		Tot. Ex. VAT	
Danske Bank, Reg: 3409 account: 11601065		VAT	
SWIFT code: DABADKKK IBAN no: DK23 30000011601065		TOTAL incl. VAT	

**Guiding info for measuring & fitting the STORM RUNNER**

It is a different concept than previously as the frames are tailored fitted individual.  
The two sizes 4,5 og 5,5 states that they are higher and longer than our traditional PETRA size 4 og 5.  
We can lower and shorten the frame but not make it bigger than the max measurements.

As an example, the wheels are not included in the basic price  
as the options are carbon tubular and carbon clincher, apart from the alu. wheels.

It can be hard to decide the measurements perfectly without having a demo STORM RUNNER for Try-Out.  
. It shall be pretty experienced salesstaff who takes the measurements.

If you are unsure to select measurements please send a few photos and some measurements of user  
( leg length full height, weight and so on) or work from the RaceRunner they are using.

Consider finer measurements within the guiding zone as example;  
height of clamping collar for saddle post and height under the arch.

Consider if there shall be a drop link.  
Note the Drop link is an extra cost.  
P brakes are extra cost.

Note that the frames saddle section tilts downward so that  
the saddle post and nose of the saddle may not be able to go all the way down.  
In some cases we recommend to bend the tube so the saddle section is horizontal.

Consider the position of the clamp for chest support and if 1 or two posts are needed for flexible positioning.

Note that the front wheel, fork and handlebar is higher than on our other RaceRunners.

Please ask any questions you may have.

Best Regards  
Connie Hansen

BY CONNIEHANSEN ApS  
Byåsen 18, Ganløse  
3660 Stenløse, Denmark  
CVR no.: 36487305

**iPhone:** +45 48 19 50 64  
**mobile:** +45 29 43 37 67  
**mail@by-conniehansen.com**

[www.by-conniehansen.com](http://www.by-conniehansen.com)  
[www.facebook.com/byconniehansen](https://www.facebook.com/byconniehansen)  
**skype:** by\_conniehansen